

Computer System Overall Structure Ch 1-7

Review
Overall Picture
Refresh Computer Organization I
(TiTo)
1

03/09/2001

Copyright Teemu Kerola 2001

Computer System

- Data movement, storage, and processing
Figs 1.3, 1.4
- Control
Figs 1.5, 1.6 Figs 3.2, 3.3, 3.9
- System and I/O Buses
- Internal and external memories
- Input/Output systems
- Operating Systems support

03/09/2001

Copyright Teemu Kerola 2001

2

System & I/O Buses

- Bus configurations **Fig 3.18**
- Local (internal, memory) bus **(sisäinen väylä)**
 - inside CPU chip
 - connects CPU to cache
- System bus **(systeemiväylä)**
 - connects CPU to memory
- I/O bus **(I/O väylä)**
 - connects CPU & memory to I/O devices
- Implementation details later on

03/09/2001

Copyright Teemu Kerola 2001

3

Internal and External Memories

- Memory hierarchy **(muistihierarkia)**
 - Fig 4.1**
 - Registers, L1 Cache, L2 Cache
 - Main memory, Disk cache
 - Disk, Optical, Tape
 - File server (local, via LAN)
 - Remote server (via WWW?)
- Storage capacity vs. access time **(saantiaika)**

Fig 4.3 [Stal96]

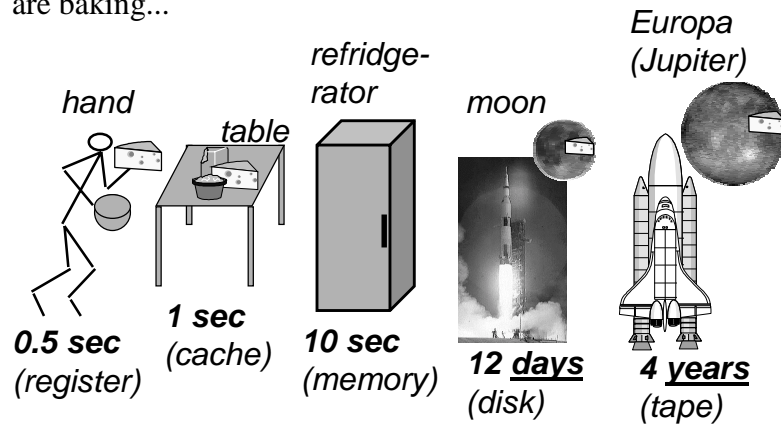
03/09/2001

Copyright Teemu Kerola 2001

4

Teemu's Cheesecake (5)

Register, on-chip cache, memory, disk, and tape speeds relative to times locating cheese for the cheese cake you are baking...

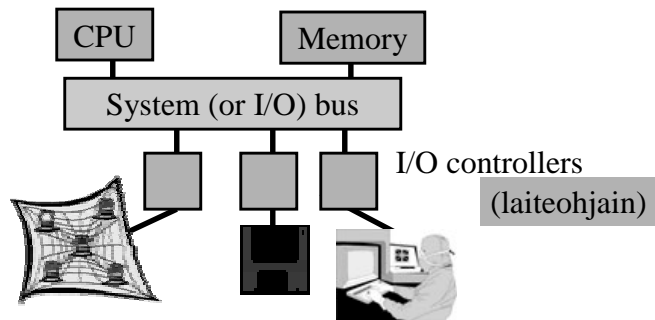


03/09/2001

Copyright Teemu Kerola 2001

5

Input/Output Systems

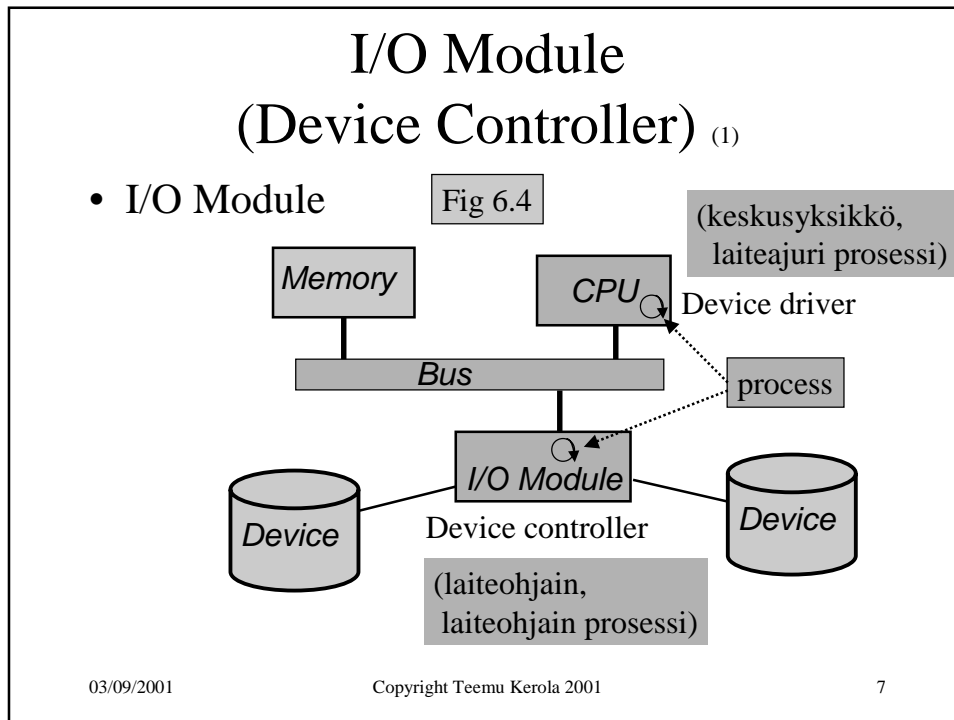


- Three categories
 - I/O with people Video display, joy-stick, ...
 - I/O with machines CD, disk, ...
 - Communication Ethernet, token ring, ...

03/09/2001

Copyright Teemu Kerola 2001

6



Direct vs. Interrupt-driven I/O ⁽²⁾

- **Direct, I.e., programmed I/O** (suora I/O)
 - CPU controls I/O directly
 - CPU spins (waits) while I/O device works
 - I/O device transfers one word at a time

- **Interrupt-driven I/O** (keskeyttävä I/O)
 - CPU gives one I/O command, does a process switch, and continues with some other work
 - when I/O is done, I/O controller interrupts the CPU, and original process is made ready to run again

03/09/2001

Copyright Teemu Kerola 2001

8

Direct vs. Interrupt-driven I/O (contd) ⁽²⁾

- Direct Memory Access (DMA)
 - I/O controller can directly access memory
 - o/w access only to “data registers”
 - interrupt CPU only after (a big) block transfer
- I/O channels and I/O processors
 - I/O controller is smart
 - I/O controller manages complete I/O jobs
 - each with many DMA transfers?
 - many I/O jobs in queue at a time?

03/09/2001

Copyright Teemu Kerola 2001

9

Memory-Mapped I/O ⁽³⁾ (muistiinkuvattu I/O)

- Each device controlled via device registers
 - data, status, control (laiterekisterit)
- Device registers are addressed similarly as memory
 - with normal read/write instructions
(vs. specific machine instructions for I/O)
 - device controller acts also as a memory card
- Device registers are physically located in the device controller which recognises certain memory addresses belonging to it

03/09/2001

Copyright Teemu Kerola 2001

10

SCSI - Small Computer System Interconnect ⁽³⁾

- Parallel data interface
 - 8,16, or 32 parallel data lines (wires)
 - 9 control lines
- Max 7 devices
- Arbitration
 - select who can use
 - the one with the highest priority wins
 - priority = SCSI id selected for the device

03/09/2001

Copyright Teemu Kerola 2001

11

Operating Systems Support

- User/computer interface (käyttöliittymä)
Fig 7.1
- Resource manager (resurssien hallinta)
Fig 7.2
- Process manager (prosessien hallinta)
Fig 7.8
(prosessin tilat)
- Process Control Block (PCB) (prosessin kontrollilohko)
Fig 7.9

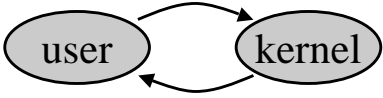
03/09/2001

Copyright Teemu Kerola 2001

12

Processor States


(suorittimen tilat)



- User mode (normal mode) (käyttäjätila)
 - can use only non-privileged instructions
 - can access only memory in user-space
- Kernel mode (privileged mode) (etuoikeutettu tila)
 - can use all machine instructions, including privileged instructions (etuoikeutetut konekäskyt)
 - can access all memory, including kernel memory (KJ:n ytimen omat muistialueet)

03/09/2001 Copyright Teemu Kerola 2001 13

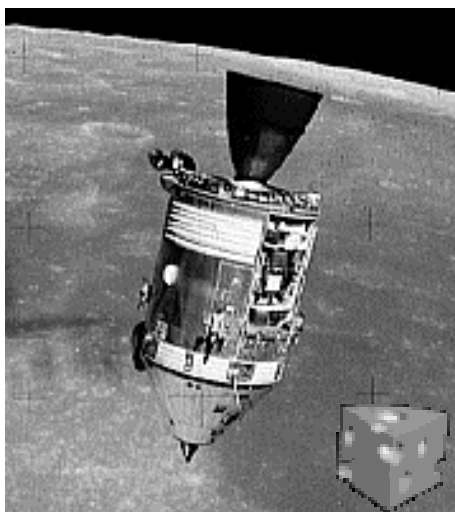
Changing Processor Mode



- User mode → kernel mode
 - interrupt or explicit SVC instruction
 - interrupt handler checks for rights to change mode (keskeytyskäsitteijä)
- Kernel mode → user mode
 - privileged machine instruction
 - return from interrupt (e.g., IRET)
 - returns control & restores previous mode

03/09/2001 Copyright Teemu Kerola 2001 14

-- End of Chapter 1-7: Intro --



03/09/2001

Copyright Teemu Kerola 2001

15