

Lesson 3

Critical Section Problem

Ch 3 [BenA 06]

Critical Section Problem
 Solutions without HW Support
 State Diagrams for Algorithms
 Busy-Wait Solutions with HW Support

3.11.2008

Copyright Teemu Kerola 2008

1

Mutual Exclusion Real World Example



Fig. Pesutuvan varaus

- How to reserve a laundry room?
 - Housing corporation with many tenants
- Reliable
 - No one else can reserve, once one reservation for given time slot is done
 - One can not remove other's reservations
- Reservation method
 - One can make decision independently (without discussing with others) on whether laundry room is available or not
 - One can have reservation for at most one time slot at a time
- People not needing the laundry room are not bothered
- One should not leave reservation on when moving out
- One should not lose reservation tokens/keys

mutual exclusion, i.e., mutex

non-preemptive keskeyttämätön

distributed/centralized

no simultaneous resource possession

recovery?

3.11.2008

Copyright Teemu Kerola 2008

2

PESUTUVAN VARAUS

Taloyhtiön pesutuvan varaus toimii laittamalla varauslukko teille sopivan päivän ja kellonajan kohdalle varaustauluun.

Varauslukko tulee poistaa varauksen jälkeen tai mikäli ette käytä varaamaanne aikaa.

Terveisin
isännöitsijä

Photo P. Niklander

3.11.2008 Copyright Teemu Kerola 2008 3

Concurrent indivisible operations

- Echo

<pre>char out, in; //globals procedure echo { input (in, keyboard); out = in; output (out, display); }</pre>	<table border="0" style="width: 100%;"> <tr> <th style="text-align: left; padding-right: 20px;">Process P1</th> <th style="text-align: left;">Process P2</th> </tr> <tr> <td>...</td> <td>...</td> </tr> <tr> <td>input (in,..);</td> <td>...</td> </tr> <tr> <td>out = in;</td> <td>input(in,..);</td> </tr> <tr> <td>...</td> <td>out = in;</td> </tr> <tr> <td>output(out,..);</td> <td>output (out,..);</td> </tr> </table>	Process P1	Process P2	input (in,..);	...	out = in;	input(in,..);	...	out = in;	output(out,..);	output (out,..);
Process P1	Process P2												
...	...												
input (in,..);	...												
out = in;	input(in,..);												
...	out = in;												
output(out,..);	output (out,..);												

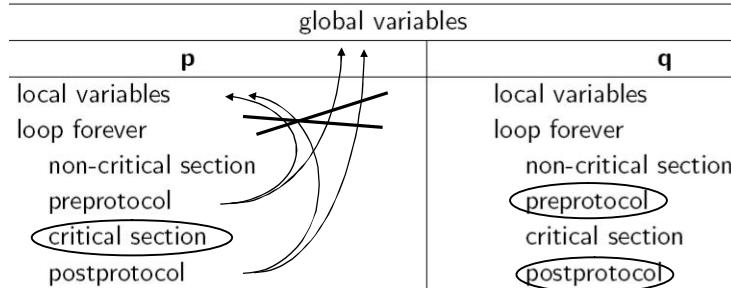
 - What if *out* and/or *in* local variables?
- Data base update
 - Name, id, address, salary, annual salary, ...
- How/when/by whom to define granularity for indivisible operations?

3.11.2008 Copyright Teemu Kerola 2008 4

Critical Section (CS)

- Mutex (mutual exclusion) solved **poissulkemisiongelma ratk.**
- No deadlock: someone will succeed **ei lukkiutumista**
- No starvation (and no unnecessary delay) **ei nälkiintymistä**
 - Everyone succeeds eventually
- *Protocol* does not use common variables with CS actual work
 - Can use it's own local or shared variables

Algorithm 3.1: Critical section problem



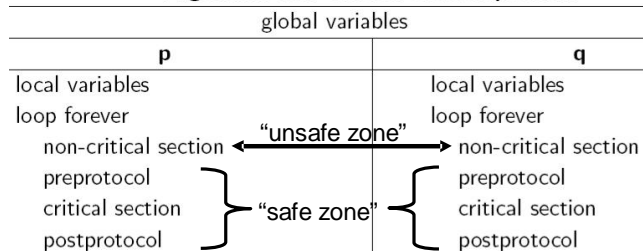
3.11.2008

Copyright Teemu Kerola 2008

5

Critical Section Assumptions

Algorithm 3.1: Critical section problem



- Preprotocol and postprotocol have no common local/global variables with critical/non-critical sections
 - They do not disturb/affect each other
- Non-critical section may stall or terminate
 - Can not assume it to complete
- Critical section will complete (will not terminate)
 - Postprotocol eventually executed once critical section is entered
- Process will not terminate in preprotocol or postprotocol (!!!)

3.11.2008

Copyright Teemu Kerola 2008

6

Critical Section Solution

Algorithm 3.2: First attempt

integer turn \leftarrow 1

p	q
loop forever	loop forever
p1: non-critical section	q1: non-critical section
p2: await turn = 1	q2: await turn = 2
p3: critical section	q3: critical section
p4: turn \leftarrow 2	q4: turn \leftarrow 1

- How to prove correct? (or incorrect?)
 - Mutex? (functional correct)
 - No deadlock? (eventually someone from many will get in)
 - No starvation? (eventually specific one will get in)

3.11.2008
Copyright Teemu Kerola 2008
7

Correctness Proofs

- Prove incorrect
 - Come up with one scenario that does not work
 - Two processes execute in sync? often non-trivial
 - Some other unlikely scenario?
- Prove correct
 - Heuristics: “I did not come up with any proofs (counterexample) for incorrectness and I am smart”
 - ⊖ I can not prove incorrectness “easy”, unreliable
 - ⊖ It must be correct...
 - State diagrams difficult, reliable
 - Describe algorithm with states:
 - { relevant control pointer (cp) values,
 - relevant local/global variable values }
 - Analyze state diagrams to prove correctness

3.11.2008
Copyright Teemu Kerola 2008
8

State Diagram for Alg. 3.2

Algorithm 3.2

- State $\{p_i, q_i, \text{turn}\}$
 - Control pointer p_i
 - Control pointer q_i
 - Global variable turn
 - 1st four states →
- Mutex ok
 - State $\{p_3, q_3, \text{turn}\}$ not accessible in state diagram?
- No deadlock?
 - When many processes try concurrently, one will succeed
- No starvation?
 - Whenever any (one) process tries, it will eventually succeed

3.11.2008
Copyright Teemu Kerola 2008
9

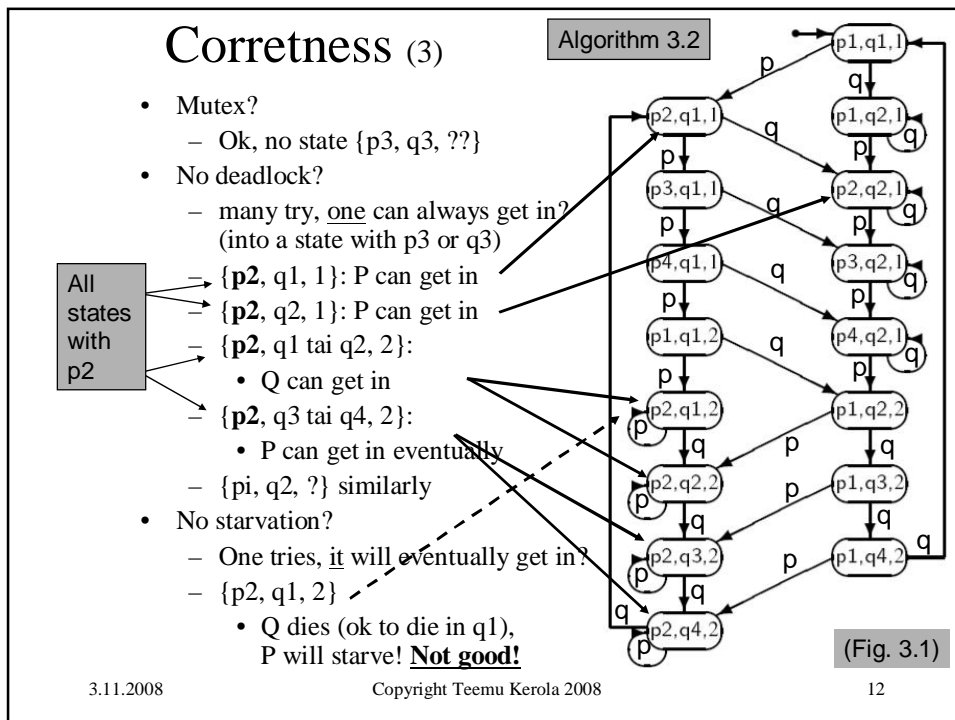
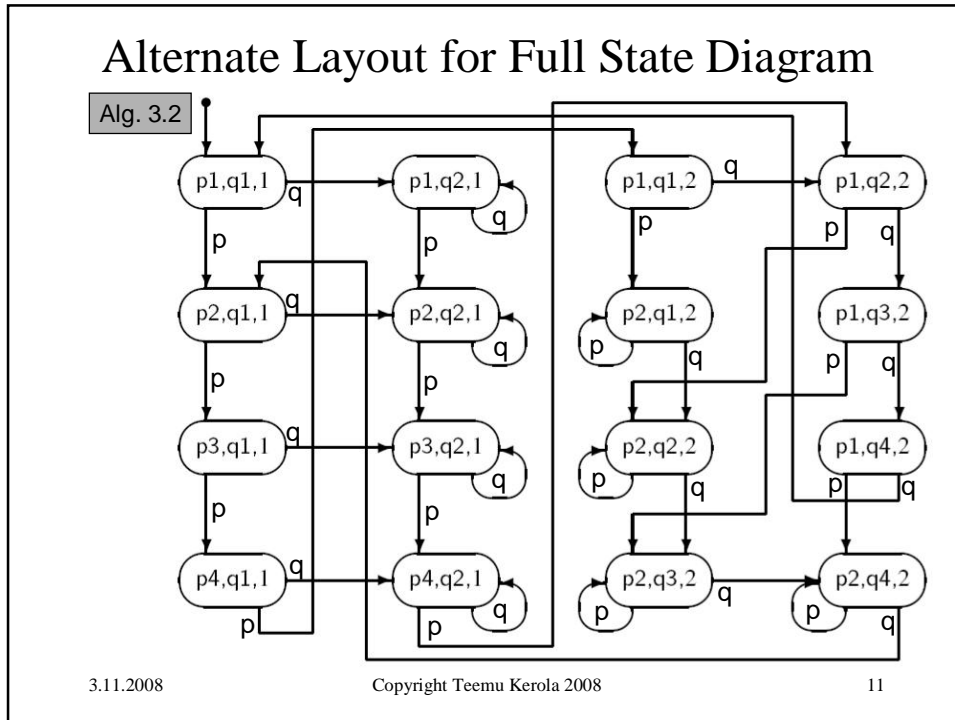
State Diagram for Algorithm 3.2

Algorithm 3.2

- Create complete diagram with all accessible states
- No states
 - $\{p_3, q_3, 1\}$
 - $\{p_3, p_3, 2\}$
- I.e., mutex secured proof!
- Problem:
 - Too many states?
 - Difficult to create
 - Difficult to analyze

(Fig. 3.1)

3.11.2008
Copyright Teemu Kerola 2008
10

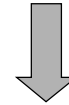


Reduced Algorithm for Easier Analysis

Algorithm 3.2: First attempt

integer turn ← 1	
p	q
loop forever	loop forever
p1: non-critical section	q1: non-critical section
p2: await turn = 1	q2: await turn = 2
p3: critical section	q3: critical section
p4: turn ← 2	q4: turn ← 1

- Reduce algorithm to reduce number of states of state diagrams: leave irrelevant code out
 - Nothing relevant (for mutex) left out?



Algorithm 3.5: First attempt (abbreviated)

integer turn ← 1	
p	q
loop forever	loop forever
p1: await turn = 1	q1: await turn = 2
p2: turn ← 2	q2: turn ← 1

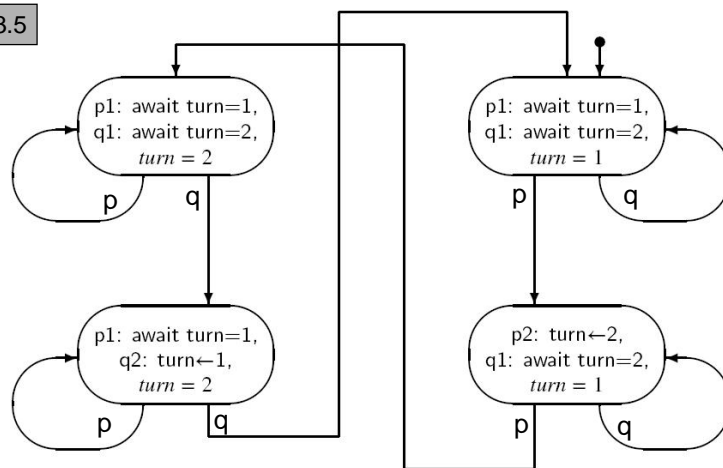
3.11.2008

Copyright Teemu Kerola 2008

13

State Diagram for Reduced Algorithm

Alg. 3.5



- Much fewer states!

(Fig. 3.2)

3.11.2008

Copyright Teemu Kerola 2008

14

Correctness of Reduced Algorithm (2)

Alg. 3.5

OK

OK

- Mutex?
 - No state {p2, q2, turn}
- No deadlock: Some are trying, one may get in?
 - Top left (p & q trying): q will get in
 - Bottom left (p trying): q will eventually execute (assumption!)

Top & bottom right: mirror situation

starvation?

Tricky, reduced too much!

- NCS combined with await

Look at original diagram

- Problem if Q dies in NCS

Not OK

15

should be OK to die in NCS, but not OK to die in protocol

3.11.2008

Copyright Teemu Kerola 2008

Critical Section Solution #2

Algorithm 3.6: Second attempt

boolean wantp ← false, wantq ← false

p	q
loop forever	loop forever
p1: non-critical section	q1: non-critical section
p2: await wantq = false	q2: await wantp = false
p3: wantp ← true	q3: wantq ← true
p4: critical section	q4: critical section
p5: wantp ← false	q5: wantq ← false

- Each have their own global variable *wantp* and *wantq*
 - True when process is in critical section
- Process dies in NCS?
 - Starvation problem ok, because it's *want*-variable is false
- Mutex? Deadlock?

3.11.2008

Copyright Teemu Kerola 2008

16

Attempt #2 Reduced

Algorithm 3.7: Second attempt (abbreviated)

boolean wantp ← false, wantq ← false

	p		q
	loop forever		loop forever
	p1: await wantq = false	NCS	q1: await wantp = false
	p2: wantp ← true		q2: wantq ← true
	p3: wantp ← false	CS	q3: wantq ← false

pro-
to-
col

• No mutex! {p3, q3, ?} reachable

- Problem: p2 should be part of critical section (but is not!)

```

    graph TD
      S((p1: await !wantq, q1: await !wantp, false,false)) -- p --> P2((p2: wantp←true, q1: await !wantp, false,false))
      P2 -- q --> P2Q2((p2: wantp←true, q2: wantq←true, false,false))
      P2Q2 -- p --> P3Q2((p3: wantp←false, q2: wantq←true, true,false))
      P3Q2 -- q --> P3Q3((p3: wantp←false, q3: wantq←false, true,true))
      P3Q3 -- p --> S
      P3Q3 -- q --> P3Q3
      style P3Q3 stroke:#f00,stroke-width:2px
    
```

3.11.2008
Copyright Teemu Kerola 2008
17

Critical Section Solution #3

Algorithm 3.8: Third attempt

boolean wantp ← false, wantq ← false

	p		q
	loop forever		loop forever
	p1: non-critical section		q1: non-critical section
	p2: wantp ← true		q2: wantq ← true
	p3: await wantq = false		q3: await wantp = false
	p4: critical section		q4: critical section
	p5: wantp ← false		q5: wantq ← false

- Avoid previous problem, mutex ok
- Deadlock possible: {p3, q3, wantp=true, wantq=true}
- Problem: cyclic wait possible, both insist their turn next
 - No preemption

3.11.2008
Copyright Teemu Kerola 2008
18

Algorithm 3.9: Fourth attempt

boolean wantp ← false, wantq ← false

p	q
loop forever p1: non-critical section p2: wantp ← true p3: while wantq p4: wantp ← false p5: wantp ← true p6: critical section p7: wantp ← false	loop forever q1: non-critical section q2: wantq ← true q3: while wantp q4: wantq ← false q5: wantq ← true q6: critical section q7: wantq ← false

- Avoid deadlock by giving away your turn if needed
- Mutex ok: P in p6 only if !wantq (Q is not in q6)
- Deadlock (livelock) possible:
 - {p3, q3, ...} → {p4, q4, ...} → {p5, q5, ...}
 - Unlikely but possible!
 - **Livelock**: both executing all the time, not waiting suspended
 - Neither one advances

3.11.2008
Copyright Teemu Kerola 2008

elolukko

19

Algorithm 3.10: Dekker's algorithm

boolean wantp ← false, wantq ← false
integer turn ← 1

p	q
loop forever p1: non-critical section p2: wantp ← true p3: while wantq p4: if turn = 2 p5: wantp ← false p6: await turn = 1 p7: wantp ← true p8: critical section p9: turn ← 2 p10: wantp ← false	loop forever q1: non-critical section q2: wantq ← true q3: while wantp q4: if turn = 1 q5: wantq ← false q6: await turn = 2 q7: wantq ← true q8: critical section q9: turn ← 1 q10: wantq ← false

- Combine 1st and 4th attempt
- 3 global (mutex ctr) variables: shared *turn*, semi-private *want*'s
 - only one process writes to *wantp* or *wantq* (= semi-private)
- *turn* gives you the right to insist, i.e., priority
 - Used only when both want CS at the same time

3.11.2008
Copyright Teemu Kerola 2008
20

Algorithm 3.10: Dekker's algorithm

boolean wantp ← false, wantq ← false
integer turn ← 1

p	q
loop forever	loop forever
p1: non-critical section	q1: non-critical section
p2: wantp ← true	q2: wantq ← true
p3: while wantq	q3: while wantp
p4: if turn = 2	q4: if turn = 1
p5: wantp ← false	q5: wantq ← false
p6: await turn = 1	q6: await turn = 2
p7: wantp ← true	q7: wantq ← true
p8: critical section	q8: critical section
p9: turn ← 2	q9: turn ← 1
p10: wantp ← false	q10: wantq ← false

Proof

- Mutex ok: P in p8 only if !wantq (∅ Q can not be in q8)
- No deadlock, because P or Q can continue to CS from {p3, q3, ..}
- No starvation, because
 - If in {p6, ...}, then eventually {p6, q9, ...} and {..., q10, ...}
 - Next time {p3, ...} or {p4, ...} will lead to {p8, ...}

3.11.2008
Copyright Teemu Kerola 2008
21

Algorithm 3.10: Dekker's algorithm

boolean wantp ← false, wantq ← false
integer turn ← 1

p	q
loop forever	loop forever
p1: non-critical section	q1: non-critical section
p2: wantp ← true	q2: wantq ← true
p3: while wantq	q3: while wantp
p4: if turn = 2	q4: if turn = 1
p5: wantp ← false	q5: wantq ← false
p6: await turn = 1	q6: await turn = 2
p7: wantp ← true	q7: wantq ← true
p8: critical section	q8: critical section
p9: turn ← 2	q9: turn ← 1
p10: wantp ← false	q10: wantq ← false

- mutex with **no HW-support needed, need only shared memory**
- Bad: complex, many instructions
 - Must execute each instruction at a time, in this order
 - Will not work, if compiler optimizes code too much!
 - In simple systems, can do better with HW support
 - Special machine instructions to help with this problem

3.11.2008
Copyright Teemu Kerola 2008
22

Mutex with HW Support

- Specific machine instructions for this purpose
 - Suitable for many situations
 - Not suitable for all situations
- Interrupt disable/enable instructions

Disable
 -- Critical Section --
 Enable
- Test-and-set instructions
 - Other similar instructions

Lock (L)
 -- Critical Section --
 Unlock (L)
- Specific memory areas
 - Reserved for concurrency control solutions
 - Lock variables (for test-and-set) in their own cache?
 - Different cache protocol for lock variables?
 - Busy-wait without memory bus use?

3.11.2008

Copyright Teemu Kerola 2008

23

Disable Interrupts

- Environment
 - All (competing) processes on same processor
 - Not for multiprocessor systems
 - Disabling interrupts does it only for the processor executing that instruction
- Disable/enable interrupts
 - Prevent process switching during critical sections
 - Good for only very short time
 - Prevents also (other) operating system work while in CS

Disable
 -- CS --
 Enable

Disable
 -- CS --
 Enable



3.11.2008

Copyright Teemu Kerola 2008

24

Test-and-set locking variables

- Environment Lukkokuuttajat
 - All processes with shared memory
 - Should have multiple processors
 - Not very good for uniprocessor systems (or synchronizing processes running on the same processor)
 - Wait (**busy-wait**) while holding the processor!
- Test-and-set *machine instruction*
 - Indivisibly read old value and write new value (complex mem-op)

shared local

↙ ↘

Test-and-set (common, local)
 local ← common ; read state
 common ← 1 ; mark reserved

Test-and-set (shLock, locked);
 while (locked)
 Test-and-set (shLock, locked);
 -- CS --
 shLock = 0;

Test-and-set (shLock, locked);
 while (locked)
 Test-and-set (shLock, locked);
 -- CS --
 shLock = 0;

3.11.2008
Copyright Teemu Kerola 2008
25

Other Machine Instructions for Synchronization Problem Busy-Wait Solutions

- Test-and-set

Test-and-set (common, local)
 local ← common ; read state
 common ← 1 ; mark reserved

Use all in busy-wait loops
- Exchange

Exchange (common, local)
 local ↔ common ; swap values
- Fetch-and-add

Fetch-and-add (common, local, x)
 local ← common ; read state
 common ← common+x ; add x
- Compare-and-swap

int Compare-and-swap (common, old, new)
 return_val ← common
 if (common == old)
 common ← new

“read-modify-write”
 memory bus transaction
 (local in HW register)

“read-after-write”
 memory bus transaction
 may also be used

3.11.2008
Copyright Teemu Kerola 2008
26