

Use case 1: Erkki studies the movement of Antarctica

Erkki's goal:

To measure where Antarctica was 180 million years ago.

Information:

- Now is Tue 8.2.2005 at 14:27
- Erkki is in laboratory at Physicum

Erkki's knowledge:

- He has many samples from Antarctica, hand sample, drill's and logbook and data from earlier measurements.
- He has available libra, waterpool and SQUID-equipment and continent draw program.
- He can assume good results because sample is Basalt and he knows how basalt usually is magnetised.
- Hand sample has line which projects to north pole and on drill is same line.

Logbook:

Area: Antarctica Map: 1134

Site: Utpostane

X: Lat: 344

Y: Long: -74

Sample: UP-17 Core[]/Hand[x]

Rock Tybe: Basalt

Comments: Dike 10m tos, fine grained, altered?

Orientation:

Date: 14.06.1997

Time: 13:02

Magn. decl: $289 + -9 = 280$

Dip 14

Sample	Rock type	Dip	Comments
UP 16	Basalt	215 270 265	Calcareous at top, dark, porphyritic (low?)
UP 18	glt	32 19 3 450	Calcareous at top, highly magnetic, light grey, dark 7
UP 24	Basalt	36 27 31 450	porphyritic
UP 23	Basalt	43 34 28 430	Large dip, redish, fine gr., dark 2
UP 22	Basalt	46 37 23 430	Stratig. not lower than AM-UP 22, v. fine gr., dark 2
UP 21	Basalt	57 182 22 480	Lots of dikes (am. 100-200), very fine grained, v. dark 2
UP 20	Basalt	72 79 26 400	Amphiboloidal, very fine grained, v. dark 2
UP 19	Basalt	65 60 31 390	Dike 30m to 5 (a.s. 10m), fine gr., dark 2
UP 17	Basalt	271 220 14 350	Dike 10m to 5, fine grained, altered?
P 5	Basalt	103 144 22 300	50m N of 68 dyke, v. fine gr.
P 12	Gabbro	241 232 18 300	68 60m thick, 90m from contact
P 6	Basalt	316 306 22 330	Fine grained

Calibration

filename	last modified	Time
Sample holder	7.2.2005 15.15	(22h)
Standard sam	7.2.2005 15.18	(22h)

Project explorer

Desktop/Fabio/Estonia

filename	Type	last modified
ha1-1a	TH	7.2.2005 10:43
lt1-1a	TH	7.2.2005 10:46
lt2-1a	TH	7.2.2005 10:50
lt2-1b	TH	7.2.2005 10:55

Measurement Sequence

Start Step Stop Load Set

mT

#	Tesla	D(°)	I(“)	J (T)	M(T)	X(T)	Y(T)	Z(T)	O63
No project file selected									

Measurement Controls

Put sample in holder arrow up

No project

Operator:

date:

measurement type: Auto Manual

rock type:

Site:

Comment:

Latitude:

Long:

Strike:

Dip:

Volume:

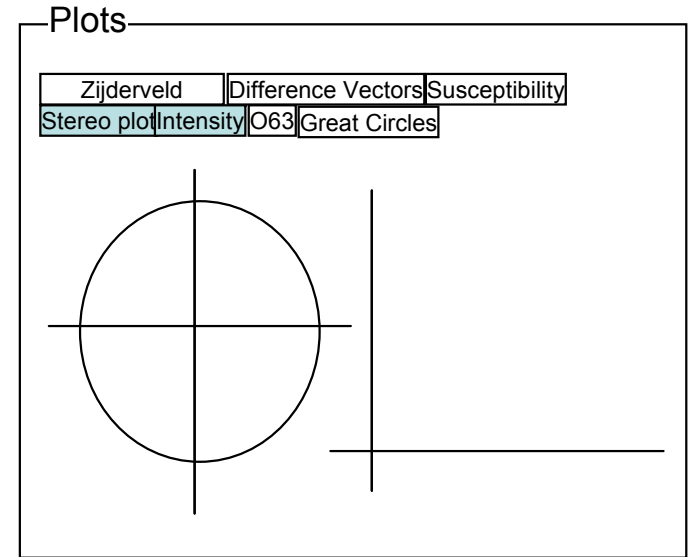
Mass:

Core sample hand sample:

Measurement Details

	X	Y	Z
BG			
0			
90			
180			
270			
BG			

	S/D	S/H	S/N
Error			



Calibration

filename	last modified	Time
Sample holder	7.2.2005 15.15	(22h)
Standard sample	7.2.2005 15.18	(22h)



Project explorer

Desktop/Fabio/Estonia

filename	Type	last modified
ha1-1a	TH	7.2.2005 10:43
lt1-1a	TH	7.2.2005 10:46
lt2-1a	TH	7.2.2005 10:50
lt2-1b	TH	7.2.2005 10:55

Measurement Sequence

#	D(°)	I(°)	J (T)	M(T)	X(T)	Y(T)	Z(T)	O63
1	296.2	29	2.86e-9	3.99e-8	5.18e-9	8.05e-9	3.94e-9	0.5

Measurement Controls

Put sample in holder arrow up

Sample holder calibration

Operator:

date:

measurement type: Auto Manual

rock type:

Site:

Comment:

Latitude:

Long:

Strike:

Dip:

Volume:

Mass:

Core sample hand sample:

Measurement Details

	X	Y	Z
BG			
0			
90			
180			
270			
BG			

	S/D	S/H	S/N
Error			

Plots

Zijderveld Difference Vectors Susceptibility

Stereo plot Intensity O63 Great Circles

Calibration

filename	last modified	Time
Sample holder	7.2.2005 15.15	(22h)
Standard sample	7.2.2005 15.18	(22h)

Project explorer

Desktop/Fabio/Estonia

filename	Type	last modified
ha1-1a	TH	7.2.2005 10:43
lt1-1a	TH	7.2.2005 10:46
lt2-1a	TH	7.2.2005 10:50
lt2-1b	TH	7.2.2005 10:55

Measurement Sequence

#	D(°)	I(°)	J (T)	M(T)	X(T)	Y(T)	Z(T)	O63
1	296.2	29	2.86e-9	3.99e-8	5.18e-9	8.05e-9	3.94e-9	0.5

Measurement Controls

Put sample in holder arrow up

Sample holder calibration

Operator:

date:

measurement type: Auto Manual

rock type:

Site:

Comment:

Latitude:

Long:

Strike:

Dip:

Volume:

Mass:

Core sample hand sample:

Measurement Details

	X	Y	Z
BG	+8.620e-06	+7.256e-06	-7.014
0			
90			
180			
270			
BG			

	S/D	S/H	S/N
Error			

Plots

Zijderveld Difference Vectors Susceptibility

Stereo plot Intensity O63 Great Circles

Calibration

filename	last modified	Time
Sample holder	7.2.2005 15.15	(22h)
Standard sample	7.2.2005 15.18	(22h)

Project explorer

Desktop/Fabio/Estonia

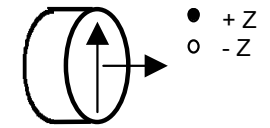
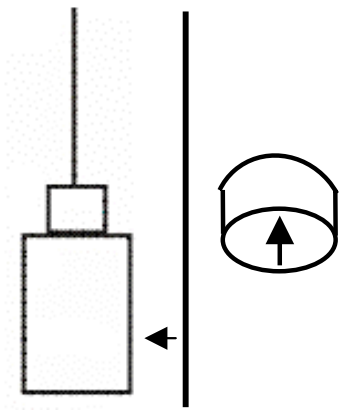
filename	Type	last modified
ha1-1a	TH	7.2.2005 10:43
lt1-1a	TH	7.2.2005 10:46
lt2-1a	TH	7.2.2005 10:50
lt2-1b	TH	7.2.2005 10:55

Measurement Sequence

#	D(°)	I(°)	J (T)	M(T)	X(T)	Y(T)	Z(T)	O63
1	296.2	29	2.86e-9	3.99e-8	5.18e-9	8.05e-9	3.94e-9	0.5

Measurement Controls

Put sample in holder arrow up

Sample holder calibration

Operator:

date:

measurement type: Auto Manual

rock type:

Site:

Comment:

Latitude:

Long:

Strike:

Dip:

Volume:

Mass:

Core sample hand sample:

Measurement Details

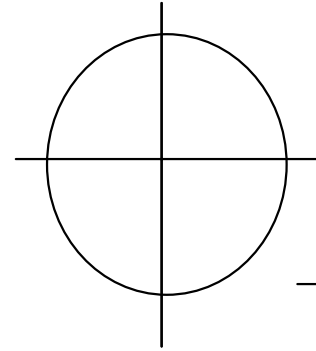
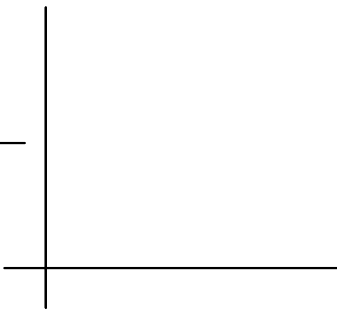
	X	Y	Z
BG	+8.620e-06	+7.256e-06	-7.014
0	-2.538e-09	+3.214e-09	-6.931e-09
90			
180			
270			
BG			

	S/D	S/H	S/N
Error			

Plots

Zijderveld Difference Vectors Susceptibility

Stereo plot Intensity O63 Great Circles

Calibrating...

Calibration

filename	last modified	Time
Sample holder	7.2.2005 15.15	(22h)
Standard sample	7.2.2005 15.18	(22h)

Project explorer

Desktop/Fabio/Estonia

filename	Type	last modified
ha1-1a	TH	7.2.2005 10:43
lt1-1a	TH	7.2.2005 10:46
lt2-1a	TH	7.2.2005 10:50
lt2-1b	TH	7.2.2005 10:55

Measurement Sequence

#	D(°)	I(°)	J (T)	M(T)	X(T)	Y(T)	Z(T)	O63
1	296.2	29	2.86e-9	3.99e-8	5.18e-9	8.05e-9	3.94e-9	0.5

Measurement Controls

Put sample in holder arrow up

Sample holder calibration

Operator:

date:

measurement type: Auto Manual

rock type:

Site:

Comment:

Latitude:

Long:

Strike:

Dip:

Volume:

Mass:

Core sample hand sample:

Measurement Details

	X	Y	Z
BG	+8.620e-06	+7.256e-06	-7.014
0	-2.538e-09	+3.214e-09	-6.931e-09
90	-1.109e-09	+4.789e-09	+8.843e-09
180			
270			
BG			

	S/D	S/H	S/N
Error			

Plots

Zijderveld Difference Vectors Susceptibility

Stereo plot Intensity O63 Great Circles

Calibration

filename	last modified	Time
Sample holder	8.2.2005 14.28	(0h)
Standard sample	7.2.2005 15.18	(22h)

Project explorer

Desktop/Fabio/Estonia

filename	Type	last modified
ha1-1a	TH	7.2.2005 10:43
lt1-1a	TH	7.2.2005 10:46
lt2-1a	TH	7.2.2005 10:50
lt2-1b	TH	7.2.2005 10:55

Measurement Sequence

#	D(°)	I(°)	J (T)	M(T)	X(T)	Y(T)	Z(T)	O63
1	296.2	29	2.86e-9	3.99e-8	5.18e-9	8.05e-9	3.94e-9	0.5
2	340	20	2.86e-9	1.08e-8	4.13e-9	8.75e-9	4.04e-9	0.5

Measurement Controls

Put sample in holder arrow up

Sample holder calibration

Operator:

date:

measurement type: Auto Manual

rock type:

Site:

Comment:

Latitude:

Long:

Strike:

Dip:

Volume:

Mass:

Core sample hand sample:

Measurement Details

	X	Y	Z
BG			
0			
90			
180			
270			
BG			

	S/D	S/H	S/N
Error			

Plots

Zijderveld Difference Vectors Susceptibility

Stereo plot Intensity O63 Great Circles

Calibration

filename	last modified	Time
Sample holder	8.2.2005 14.28	(0h)
Standard sample	7.2.2005 15.18	(22h)

Calibrate

Project explorer

Desktop/Fabio/Estonia

Browse...

filename	Type	last modified
ha1-1a	TH	7.2.2005 10:43
lt1-1a	TH	7.2.2005 10:46
lt2-1a	TH	7.2.2005 10:50
lt2-1b	TH	7.2.2005 10:55

TH

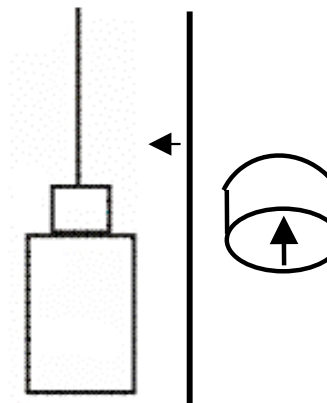
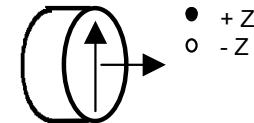
Create New

Measurement Sequence

#	D(°)	I(°)	J (T)	M(T)	X(T)	Y(T)	Z(T)	O63
1	296	-63	1.89e-4	1.59e-5	4.18e-5	8.05e-4	3.94e-4	1.5

Measurement Controls

Put sample in holder arrow up



Sample holder calibration

Operator:

date:

measurement type: Auto Manual

rock type:

Site:

Comment:

Latitude:

Long:

Strike:

Dip:

Volume:

Mass:

Core sample hand sample:

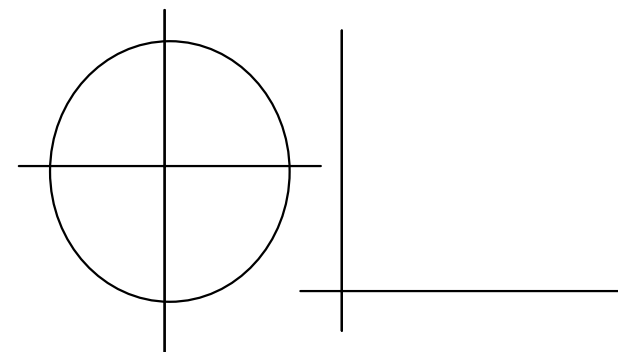
Measurement Details

	X	Y	Z
BG			
0			
90			
180			
270			
BG			

	S/D	S/H	S/N
Error			

Plots

Zijderveld Difference Vectors Susceptibility
Stereo plot Intensity O63 Great Circles



Calibration

filename	last modified	Time
Sample holder	8.2.2005 14.28	(0h)
Standard sample	8.2.2005 14.34	(0h)

Calibrate

Project explorer

Desktop/Fabio/Estonia

filename	Type	last modified
ha1-1a	TH	7.2.2005 10:43
lt1-1a	TH	7.2.2005 10:46
lt2-1a	TH	7.2.2005 10:50
lt2-1b	TH	7.2.2005 10:55

TH

Measurement Sequence

#	D(°)	I(°)	J (T)	M(T)	X(T)	Y(T)	Z(T)	O63
1	296	-63	1.89e-4	1.59e-5	4.18e-5	8.05e-4	3.94e-4	1.5
2	304	-63	1.79e-4	1.57e-5	4.28e-5	9.05e-4	3.94e-4	1.5

Measurement Controls

Put sample in holder arrow up

Sample holder calibration

Operator:

date:

measurement type: Auto Manual

rock type:

Site:

Comment:

Latitude:

Long:

Strike:

Dip:

Volume:

Mass:

Core sample hand sample:

Measurement Details

	X	Y	Z
BG			
0			
90			
180			
270			
BG			

	S/D	S/H	S/N
Error			

Plots

Zijderveld Difference Vectors Susceptibility

Stereo plot Intensity O63 Great Circles

Calibration

filename	last modified	Time
Sample holder	8.2.2005 14.28	(0h)
Standard sample	8.2.2005 14.34	(0h)

Calibrate

Project explorer

Desktop/Fabio/|

- Desktop/Fabio/Alaska
- Desktop/Fabio/Antrarctis
- Desktop/Fabio/Estonia
- Desktop/Fabio/Finland

it2-1b TH 7.2.2005 10:55

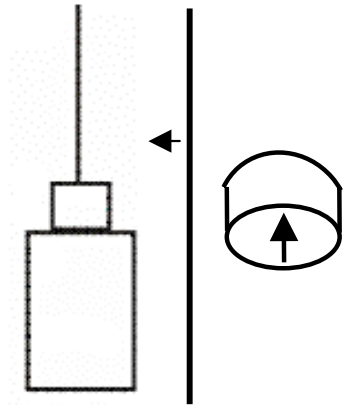
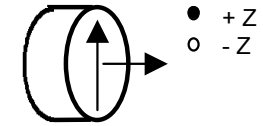
TH

Measurement Sequence

#	D(°)	I(°)	J (T)	M(T)	X(T)	Y(T)	Z(T)	O63
1	296	-63	1.89e-4	1.59e-5	4.18e-5	8.05e-4	3.94e-4	1.5
2	304	-63	1.79e-4	1.57e-5	4.28e-5	9.05e-4	3.94e-4	1.5

Measurement Controls

Put sample in holder arrow up



Sample holder calibration

Operator:

date:

measurement type: Auto Manual

rock type:

Site:

Comment:

Latitude:

Long:

Strike:

Dip:

Volume:

Mass:

Core sample hand sample:

Measurement Details

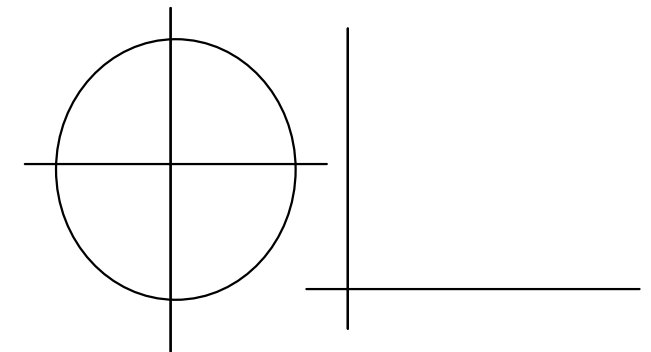
	X	Y	Z
BG			
0			
90			
180			
270			
BG			

	S/D	S/H	S/N
Error			

Plots

Zijderveld Difference Vectors Susceptibility

Stereo plot Intensity O63 Great Circles



Calibration

filename	last modified	Time
Sample holder	8.2.2005 14.28	(0h)
Standard sample	8.2.2005 14.34	(0h)

Calibrate

Project explorer

Desktop/Fabio/An| Browse...

Desktop/Fabio/Antrarctis| last modified

ha1-1a	TH	7.2.2005 10:43
lt1-1a	TH	7.2.2005 10:46
lt2-1a	TH	7.2.2005 10:50
lt2-1b	TH	7.2.2005 10:55

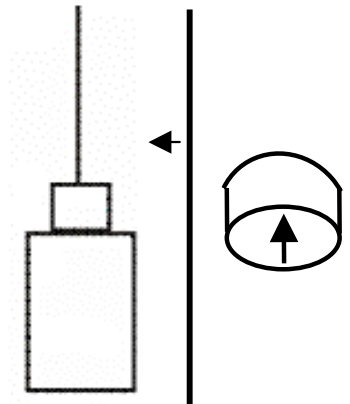
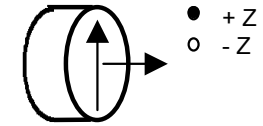
TH Create New

Measurement Sequence

#	D(°)	I(°)	J (T)	M(T)	X(T)	Y(T)	Z(T)	O63
1	296	-63	1.89e-4	1.59e-5	4.18e-5	8.05e-4	3.94e-4	1.5
2	304	-63	1.79e-4	1.57e-5	4.28e-5	9.05e-4	3.94e-4	1.5

Measurement Controls

Put sample in holder arrow up



Sample holder calibration

Operator:

date:

measurement type: Auto Manual

rock type:

Site:

Comment:

Latitude:

Long:

Strike:

Dip:

Volume:

Mass:

Core sample hand sample:

Measurement Details

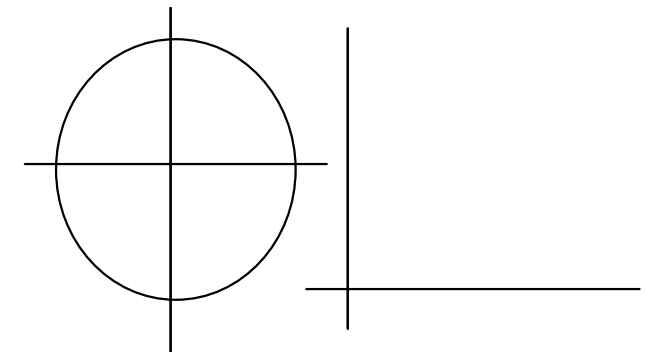
	X	Y	Z
BG			
0			
90			
180			
270			
BG			

	S/D	S/H	S/N
Error			

Plots

Zijderveld Difference Vectors Susceptibility

Stereo plot Intensity O63 Great Circles



Calibration

filename	last modified	Time
Sample holder	8.2.2005 14.28	(0h)
Standard sample	8.2.2005 14.34	(0h)

Calibrate

Project explorer

Desktop/Fabio/An Browse...

Desktop/Fabio/Antrarctis last modified

name	type	last modified
ha1-1a	TH	7.2.2005 10:43
lt1-1a	TH	7.2.2005 10:46
lt2-1a	TH	7.2.2005 10:50
lt2-1b	TH	7.2.2005 10:55

TH

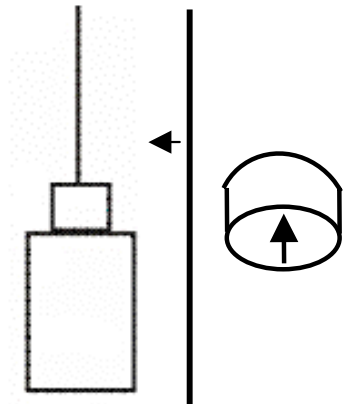
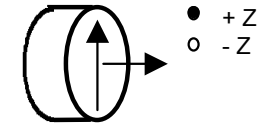
Create New

Measurement Sequence

#	D(°)	I(°)	J(T)	M(T)	X(T)	Y(T)	Z(T)	O63
1	296	-63	1.89e-4	1.59e-5	4.18e-5	8.05e-4	3.94e-4	1.5
2	304	-63	1.79e-4	1.57e-5	4.28e-5	9.05e-4	3.94e-4	1.5

Measurement Controls

Put sample in holder arrow up



Sample holder calibration

Operator:

date:

measurement type: Auto Manual

rock type:

Site:

Comment:

Latitude:

Long:

Strike:

Dip:

Volume:

Mass:

Core sample hand sample:

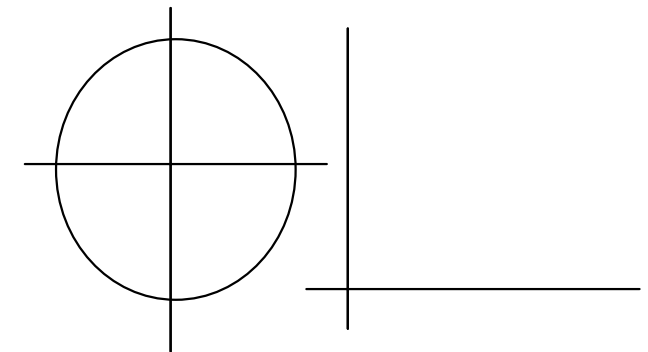
Measurement Details

	X	Y	Z
BG			
0			
90			
180			
270			
BG			

	S/D	S/H	S/N
Error			

Plots

Zijderveld Difference Vectors Susceptibility
 Stereo plot Intensity O63 Great Circles



Calibration

filename	last modified	Time
Sample holder	8.2.2005 14.28	(0h)
Standard sample	8.2.2005 14.34	(0h)

Project explorer

Desktop/Fabio/Antarctis

filename	Type	last modified
AT-1a	AF	6.2.2005 10:50
AT-1b	AF	6.2.2005 10:55
UP-2	AF	6.2.2005 11:05
UP-13	AF	6.2.2005 10:46
UP-15	AF	6.2.2005 10:43

Measurement Sequence

#	D(°)	I(°)	J (T)	M(T)	X(T)	Y(T)	Z(T)	O63
1	296	-63	1.89e-4	1.59e-5	4.18e-5	8.05e-4	3.94e-4	1.5
2	304	-63	1.79e-4	1.57e-5	4.28e-5	9.05e-4	3.94e-4	1.5

Measurement Controls

Put sample in holder arrow up

Sample holder calibration

Operator:

date:

measurement type: Auto Manual

rock type:

Site:

Comment:

Latitude:

Long:

Strike:

Dip:

Volume:

Mass:

Core sample hand sample:

Measurement Details

	X	Y	Z
BG			
0			
90			
180			
270			
BG			

	S/D	S/H	S/N
Error			

Plots

Zijderveld Difference Vectors Susceptibility

Stereo plot Intensity O63 Great Circles

Calibration

filename	last modified	Time
Sample holder	8.2.2005 14.28	(0h)
Standard sample	8.2.2005 14.34	(0h)

Calibrate

Project explorer

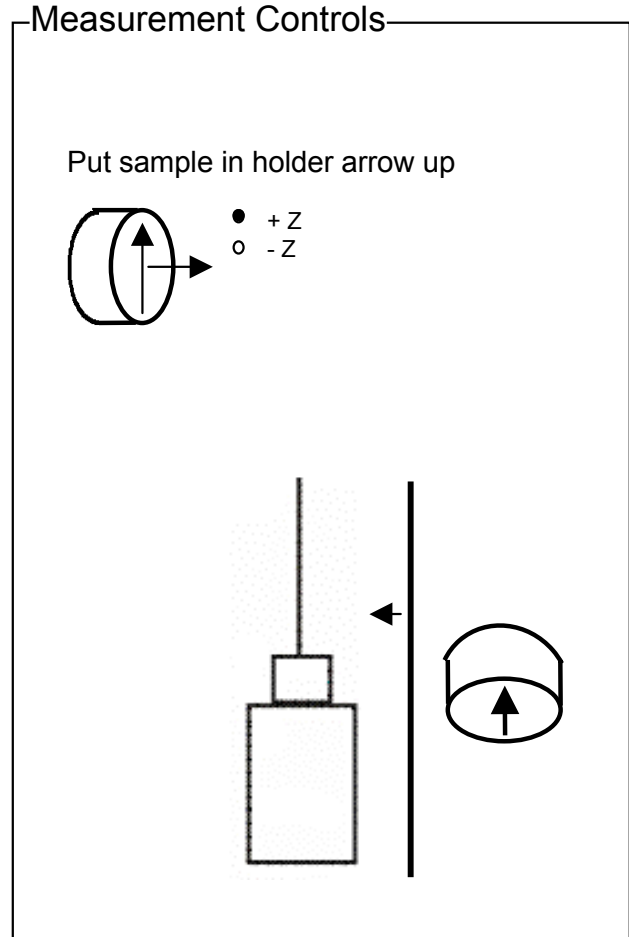
Desktop/Fabio/Antarctis Browse...

filename	Type	last modified
AT-1a	AF	6.2.2005 10:50
AT-1b	AF	6.2.2005 10:55
UP-2	AF	6.2.2005 11:05
UP-13	AF	6.2.2005 10:46
UP-15	AF	6.2.2005 10:43
UP-17	AF	

Create New

Measurement Sequence

#	D(°)	I(°)	J (T)	M(T)	X(T)	Y(T)	Z(T)	O63
1	296	-63	1.89e-4	1.59e-5	4.18e-5	8.05e-4	3.94e-4	1.5
2	304	-63	1.79e-4	1.57e-5	4.28e-5	9.05e-4	3.94e-4	1.5



Sample holder calibration

Operator:

date:

measurement type: Auto Manual

rock type:

Site:

Comment:

Latitude:

Long:

Strike:

Dip:

Volume:

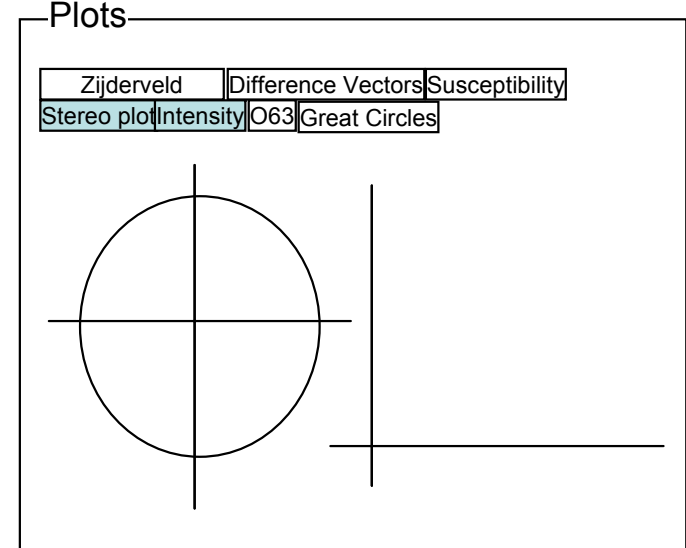
Mass:

Core sample hand sample:

Measurement Details

	X	Y	Z
BG			
0			
90			
180			
270			
BG			

	S/D	S/H	S/N
Error			



Calibration

filename	last modified	Time
Sample holder	8.2.2005 14.28	(0h)
Standard sample	8.2.2005 14.34	(0h)

Project explorer

Desktop/Fabio/Antarctis

filename	Type	last modified
AT-1a	AF	6.2.2005 10:50
AT-1b	AF	6.2.2005 10:55
UP-2	AF	6.2.2005 11:05
UP-13	AF	6.2.2005 10:46
UP-15	AF	6.2.2005 10:43
UP-17	AF	8.2.2005 14.36

Measurement Sequence

Start Step Stop Load Set

mT

#	Tesla	D(°)	I(“)	J (T)	M(T)	X(T)	Y(T)	Z(T)	O63
1									

Measurement Controls

Put sample in holder arrow up

UP-17 (AF Project)

Operator:

date:

measurement type: Auto Manual

rock type:

Site:

Comment:

Latitude:

Long:

Strike:

Dip:

Volume:

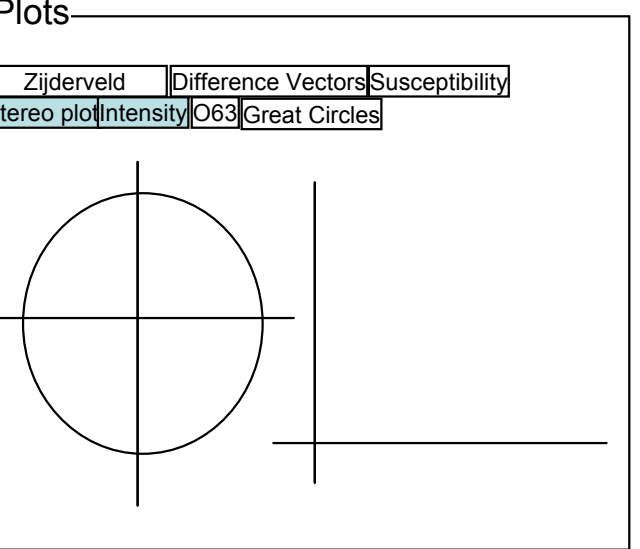
Mass:

Core sample hand sample:

Measurement Details

	X	Y	Z
BG			
0			
90			
180			
270			
BG			

	S/D	S/H	S/N
Error			



Calibration

filename	last modified	Time
Sample holder	8.2.2005 14.28	(0h)
Standard sample	8.2.2005 14.34	(0h)

Project explorer

Desktop/Fabio/Antarctis

filename	Type	last modified
AT-1a	AF	6.2.2005 10:50
AT-1b	AF	6.2.2005 10:55
UP-2	AF	6.2.2005 11:05
UP-13	AF	6.2.2005 10:46
UP-15	AF	6.2.2005 10:43
UP-17	AF	8.2.2005 14.40

Measurement Sequence

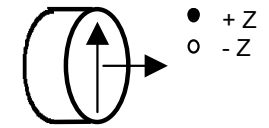
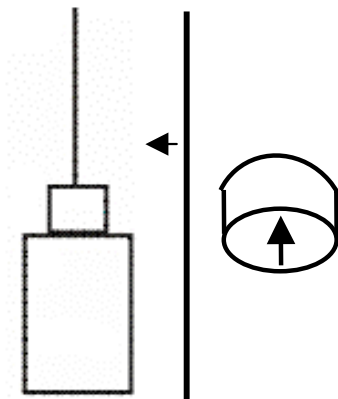
Start Step Stop Load Set

mT

#	Tesla	D(°)	I(“)	J (T)	M(T)	X(T)	Y(T)	Z(T)	O63
1									

Measurement Controls

Put sample in holder arrow up

UP-17 (AF Project)

Operator:

date:

measurement type: Auto Manual

rock type:

Site:

Comment:

Latitude:

Long:

Strike:

Dip:

Volume:

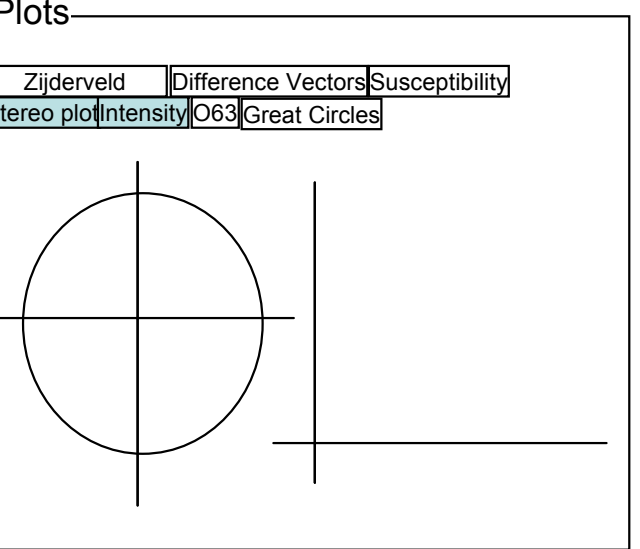
Mass:

Core sample hand sample:

Measurement Details

	X	Y	Z
BG			
0			
90			
180			
270			
BG			

	S/D	S/H	S/N
Error			



Calibration

filename	last modified	Time
Sample holder	8.2.2005 14.28	(0h)
Standard sample	8.2.2005 14.34	(0h)

Project explorer

Desktop/Fabio/Antarctis

filename	Type	last modified
AT-1a	AF	6.2.2005 10:50
AT-1b	AF	6.2.2005 10:55
UP-2	AF	6.2.2005 11:05
UP-13	AF	6.2.2005 10:46
UP-15	AF	6.2.2005 10:43
UP-17	AF	8.2.2005 14.40

Measurement Sequence

Start Step Stop mT

#	Tesla	D(°)	I(“)	J (T)	M(T)	Load Set
1						Basalt Cobold Meteor-1 Meteor-2 Fabios sequency

Measurement Controls

Put sample in holder arrow up

UP-17 (AF Project)

Operator:

date:

measurement type: Auto Manual

rock type:

Site:

Comment:

Latitude:

Long:

Strike:

Dip:

Volume:

Mass:

Core sample hand sample:

Measurement Details

	X	Y	Z
BG			
0			
90			
180			
270			
BG			

	S/D	S/H	S/N
Error			

Plots

Calibration

filename	last modified	Time
Sample holder	8.2.2005 14.28	(0h)
Standard sample	8.2.2005 14.34	(0h)

Project explorer

Desktop/Fabio/Antarctis

filename	Type	last modified
AT-1a	AF	6.2.2005 10:50
AT-1b	AF	6.2.2005 10:55
UP-2	AF	6.2.2005 11:05
UP-13	AF	6.2.2005 10:46
UP-15	AF	6.2.2005 10:43
UP-17	AF	8.2.2005 14.41

Measurement Sequence

Start Step Stop Load Set

800 mT Basalt

#	Tesla	D(°)	I(“)	J (T)	M(T)	X(T)	Y(T)	Z(T)	O63
1	0								
2	50								
3	100								
4	200								
5	300								
6	400								
7	500								
8	600								
9	700								
10	800								
11									

Measurement Controls

Put sample in holder arrow up

UP-17 (AF Project)

Operator:

date:

measurement type: Auto Manual

rock type:

Site:

Comment:

Latitude:

Long:

Strike:

Dip:

Volume:

Mass:

Core sample hand sample:

Measurement Details

	X	Y	Z
BG			
0			
90			
180			
270			
BG			

	S/D	S/H	S/N
Error			

Plots

Calibration

filename	last modified	Time
Sample holder	8.2.2005 14.28	(0h)
Standard sample	8.2.2005 14.34	(0h)

Project explorer

Desktop/Fabio/Antarctis

filename	Type	last modified
AT-1a	AF	6.2.2005 10:50
AT-1b	AF	6.2.2005 10:55
UP-2	AF	6.2.2005 11:05
UP-13	AF	6.2.2005 10:46
UP-15	AF	6.2.2005 10:43
UP-17	AF	8.2.2005 14.41
<input type="text"/>	AF ▾	<input type="button" value="Create New"/>

Measurement Sequence

Start Step Stop Load Set

800 mT Basalt

#	Tesla	D(°)	I(“)	J (T)	M(T)	X(T)	Y(T)	Z(T)	O63
1	0								
2	50								
3	100								
4	200								
5	300								
6	400								
7	500								
8	600								
9	700								
10	800								
11									

Measurement Controls

Put sample in holder arrow up

UP-17 (AF Project)

Operator:

date:

measurement type: Auto Manual

rock type:

Site:

Comment:

Latitude:

Long:

Strike:

Dip:

Volume:

Mass:

Core sample hand sample:

Measurement Details

	X	Y	Z
BG			
0			
90			
180			
270			
BG			

	S/D	S/H	S/N
Error			

Plots

Calibration

filename	last modified	Time
Sample holder	8.2.2005 14.28	(0h)
Standard sample	8.2.2005 14.34	(0h)

Project explorer

Desktop/Fabio/Antarctis

filename	Type	last modified
AT-1a	AF	6.2.2005 10:50
AT-1b	AF	6.2.2005 10:55
UP-2	AF	6.2.2005 11:05
UP-13	AF	6.2.2005 10:46
UP-15	AF	6.2.2005 10:43
UP-17	AF	8.2.2005 14.41
<input type="text"/>	AF ▾	<input type="button" value="Create New"/>

Measurement Sequence

Start Step Stop Load Set

800 mT Basalt

#	Tesla	D(°)	I(“)	J (T)	M(T)	X(T)	Y(T)	Z(T)	O63
1	0								
2	50								
3	100								
4	200								
5	300								
6	400								
7	500								
8	600								
9	700								
10	800								
11									

Measurement Controls

Put sample in holder arrow up

UP-17 (AF Project)

Operator:

date:

measurement type: Auto Manual

rock type:

Site:

Comment:

Latitude:

Long:

Strike:

Dip:

Volume:

Mass:

Core sample hand sample:

Measurement Details

	X	Y	Z
BG	+8,625e-6	+7,290e-6	-6,977e-6
0			
90			
180			
270			
BG			

	S/D	S/H	S/N
Error			

Plots

Calibration

filename	last modified	Time
Sample holder	8.2.2005 14.28	(0h)
Standard sample	8.2.2005 14.34	(0h)

Project explorer

Desktop/Fabio/Antarctis

filename	Type	last modified
AT-1a	AF	6.2.2005 10:50
AT-1b	AF	6.2.2005 10:55
UP-2	AF	6.2.2005 11:05
UP-13	AF	6.2.2005 10:46
UP-15	AF	6.2.2005 10:43
UP-17	AF	8.2.2005 14.41
<input type="text"/>	AF	<input type="button" value="Create New"/>

Measurement Sequence

Start Step Stop Load Set

800 mT Basalt

#	Tesla	D(°)	I(“)	J (T)	M(T)	X(T)	Y(T)	Z(T)	O63
1	0								
2	50								
3	100								
4	200								
5	300								
6	400								
7	500								
8	600								
9	700								
10	800								
11									

Measurement Controls

Put sample in holder arrow up

UP-17 (AF Project)

Operator:

date:

measurement type: Auto Manual

rock type:

Site:

Comment:

Latitude:

Long:

Strike:

Dip:

Volume:

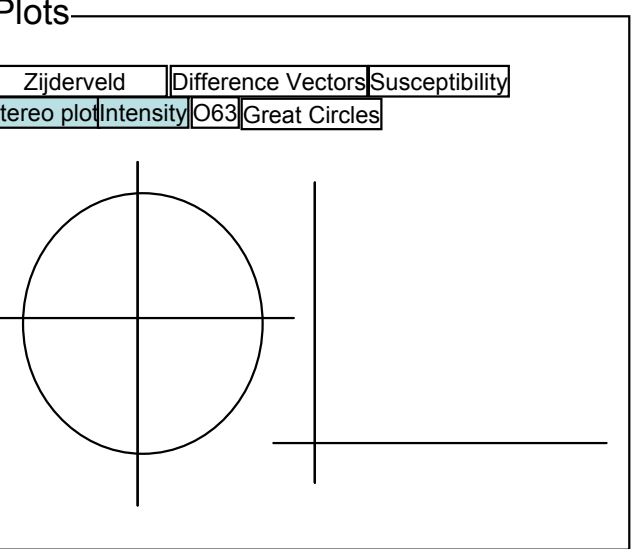
Mass:

Core sample hand sample:

Measurement Details

	X	Y	Z
BG	+8,625e-6	+7,290e-6	-6,977e-6
0	+1,309e-6	+3,192e-6	-1,098e-7
90			
180			
270			
BG			

	S/D	S/H	S/N
Error			



Calibration

filename	last modified	Time
Sample holder	8.2.2005 14.28	(0h)
Standard sample	8.2.2005 14.34	(0h)

Project explorer

Desktop/Fabio/Antarctis

filename	Type	last modified
AT-1a	AF	6.2.2005 10:50
AT-1b	AF	6.2.2005 10:55
UP-2	AF	6.2.2005 11:05
UP-13	AF	6.2.2005 10:46
UP-15	AF	6.2.2005 10:43
UP-17	AF	8.2.2005 14.41
<input type="text"/>	AF	<input type="button" value="Create New"/>

Measurement Sequence

Start Step Stop Load Set

800 mT Basalt

#	Tesla	D(°)	I(“)	J (T)	M(T)	X(T)	Y(T)	Z(T)	O63
1	0								
2	50								
3	100								
4	200								
5	300								
6	400								
7	500								
8	600								
9	700								
10	800								
11									

Measurement Controls

Put sample in holder arrow up

UP-17 (AF Project)

Operator:

date:

measurement type: Auto Manual

rock type:

Site:

Comment:

Latitude:

Long:

Strike:

Dip:

Volume:

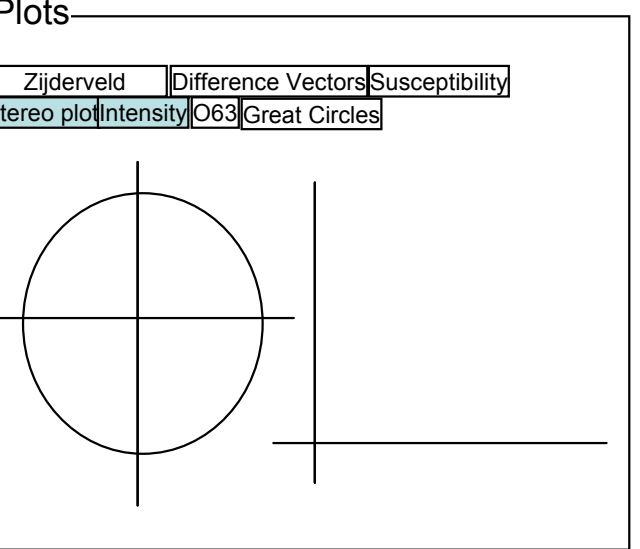
Mass:

Core sample hand sample:

Measurement Details

	X	Y	Z
BG	+8,625e-6	+7,290e-6	-6,977e-6
0	+1,309e-6	+3,192e-6	-1,098e-7
90	-3,098e-6	+1,174e-6	-1,102e-7
180			
270			
BG			

	S/D	S/H	S/N
Error			



Calibration

filename	last modified	Time
Sample holder	8.2.2005 14.28	(0h)
Standard sample	8.2.2005 14.34	(0h)

Project explorer

Desktop/Fabio/Antarctis

filename	Type	last modified
AT-1a	AF	6.2.2005 10:50
AT-1b	AF	6.2.2005 10:55
UP-2	AF	6.2.2005 11:05
UP-13	AF	6.2.2005 10:46
UP-15	AF	6.2.2005 10:43
UP-17	AF	8.2.2005 14.41
<input type="text"/>	AF	<input type="button" value="Create New"/>

Measurement Sequence

Start Step Stop Load Set

800 mT Basalt

#	Tesla	D(°)	I(“)	J (T)	M(T)	X(T)	Y(T)	Z(T)	O63
1	0								
2	50								
3	100								
4	200								
5	300								
6	400								
7	500								
8	600								
9	700								
10	800								
11									

Measurement Controls

Put sample in holder arrow up

UP-17 (AF Project)

Operator:

date:

measurement type: Auto Manual

rock type:

Site:

Comment:

Latitude:

Long:

Strike:

Dip:

Volume:

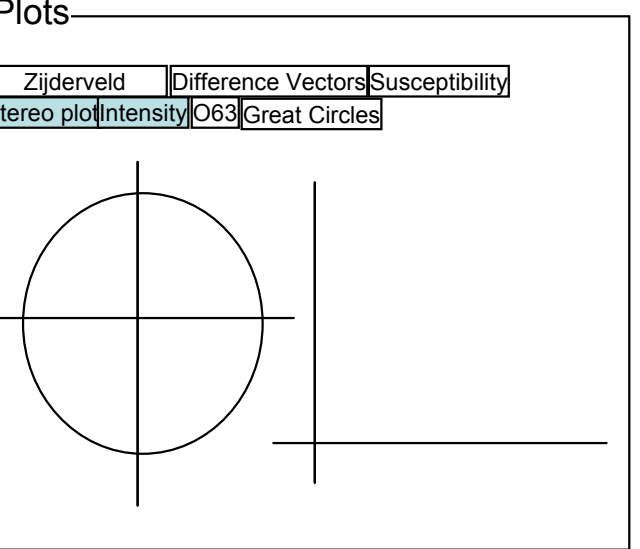
Mass:

Core sample hand sample:

Measurement Details

	X	Y	Z
BG	+8,625e-6	+7,290e-6	-6,977e-6
0	+1,309e-6	+3,192e-6	-1,098e-7
90	-3,098e-6	+1,174e-6	-1,102e-7
180	-3,454e-6	-2,457e-6	-1,454e-7
270			
BG			

	S/D	S/H	S/N
Error			



Calibration

filename	last modified	Time
Sample holder	8.2.2005 14.28	(0h)
Standard sample	8.2.2005 14.34	(0h)

Project explorer

Desktop/Fabio/Antarctis

filename	Type	last modified
AT-1a	AF	6.2.2005 10:50
AT-1b	AF	6.2.2005 10:55
UP-2	AF	6.2.2005 11:05
UP-13	AF	6.2.2005 10:46
UP-15	AF	6.2.2005 10:43
UP-17	AF	8.2.2005 14.41
<input type="text"/>	AF	<input type="button" value="Create New"/>

Measurement Sequence

Start Step Stop Load Set

800 mT Basalt

#	Tesla	D(°)	I(“)	J (T)	M(T)	X(T)	Y(T)	Z(T)	O63
1	0								
2	50								
3	100								
4	200								
5	300								
6	400								
7	500								
8	600								
9	700								
10	800								
11									

Measurement Controls

Put sample in holder arrow up

UP-17 (AF Project)

Operator:

date:

measurement type: Auto Manual

rock type:

Site:

Comment:

Latitude:

Long:

Strike:

Dip:

Volume:

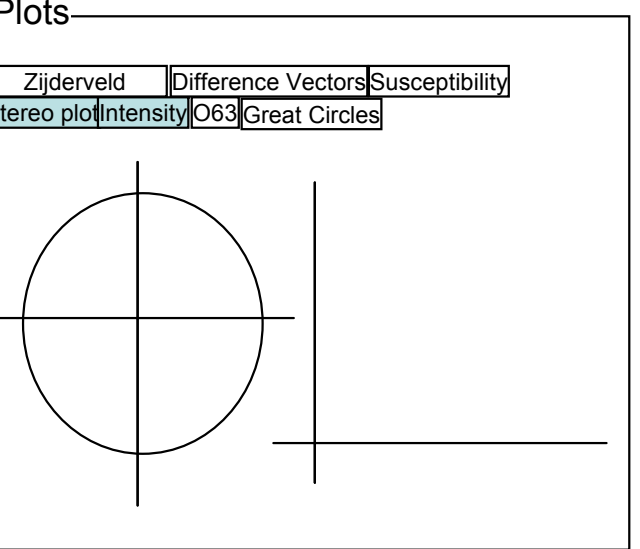
Mass:

Core sample hand sample:

Measurement Details

	X	Y	Z
BG	+8,625e-6	+7,290e-6	-6,977e-6
0	+1,309e-6	+3,192e-6	-1,098e-7
90	-3,098e-6	+1,174e-6	-1,102e-7
180	-3,454e-6	-2,457e-6	-1,454e-7
270	+1,654e-6	-3,454e-6	-1,457e-7
BG			

	S/D	S/H	S/N
Error			



Calibration

filename	last modified	Time
Sample holder	8.2.2005 14.28	(0h)
Standard sample	8.2.2005 14.34	(0h)

Project explorer

Desktop/Fabio/Antarctis

filename	Type	last modified
AT-1a	AF	6.2.2005 10:50
AT-1b	AF	6.2.2005 10:55
UP-2	AF	6.2.2005 11:05
UP-13	AF	6.2.2005 10:46
UP-15	AF	6.2.2005 10:43
UP-17	AF	8.2.2005 14.41
<input type="text"/>	AF	<input type="button" value="Create New"/>

Measurement Sequence

Start Step Stop Load Set

800 mT Basalt

#	Tesla	D(°)	I(“)	J (T)	M(T)	X(T)	Y(T)	Z(T)	O63
1	0	202	59	1,14e-6	1,14e-7	1,30e-6	3,19e-6	-1,09e-7	1
2	50								
3	100								
4	200								
5	300								
6	400								
7	500								
8	600								
9	700								
10	800								
11									

Measurement Controls

Put sample in holder arrow up

UP-17 (AF Project)

Operator:

date:

measurement type: Auto Manual

rock type:

Site:

Comment:

Latitude:

Long:

Strike:

Dip:

Volume:

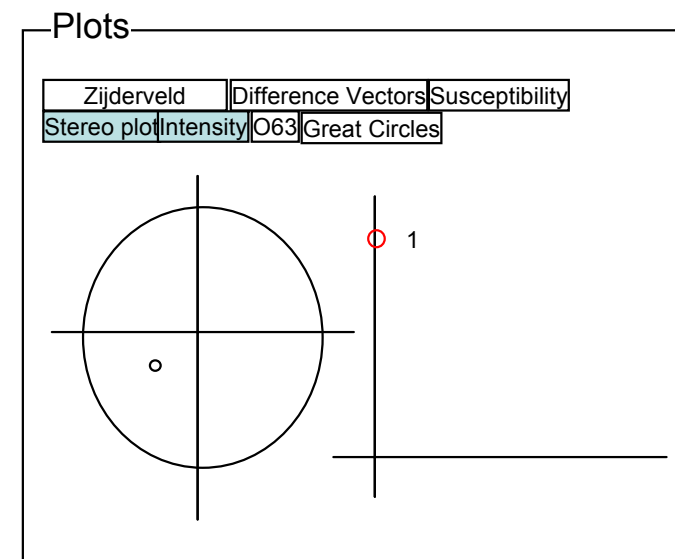
Mass:

Core sample hand sample:

Measurement Details

	X	Y	Z
BG	+8,625e-6	+7,290e-6	-6,977e-6
0	+1,309e-6	+3,192e-6	-1,098e-7
90	-3,098e-6	+1,174e-6	-1,102e-7
180	-3,454e-6	-2,457e-6	-1,454e-7
270	+1,654e-6	-3,454e-6	-1,457e-7
BG	+8,625e-6	+7,290e-6	-6,977e-6

	S/D	S/H	S/N
Error	1.2e-2	3.2e-3	1.5e-5



Calibration

filename	last modified	Time
Sample holder	8.2.2005 14.28	(0h)
Standard sample	8.2.2005 14.34	(0h)

Project explorer

Desktop/Fabio/Antarctis

filename	Type	last modified
AT-1a	AF	6.2.2005 10:50
AT-1b	AF	6.2.2005 10:55
UP-2	AF	6.2.2005 11:05
UP-13	AF	6.2.2005 10:46
UP-15	AF	6.2.2005 10:43
UP-17	AF	8.2.2005 14.43
<input type="text"/>	AF	<input type="button" value="Create New"/>

Measurement Sequence

Start Step Stop Load Set

800 mT Basalt

#	Tesla	D(°)	I(“)	J (T)	M(T)	X(T)	Y(T)	Z(T)	O63
1	0	202	59	1,14e-6	1,14e-7	1,30e-6	3,19e-6	-1,09e-7	1
2	50								
3	100								
4	200								
5	300								
6	400								
7	500								
8	600								
9	700								
10	800								
11									

Measurement Controls

Put sample in holder arrow up

UP-17 (AF Project)

Operator:

date:

measurement type: Auto Manual

rock type:

Site:

Comment:

Latitude:

Long:

Strike:

Dip:

Volume:

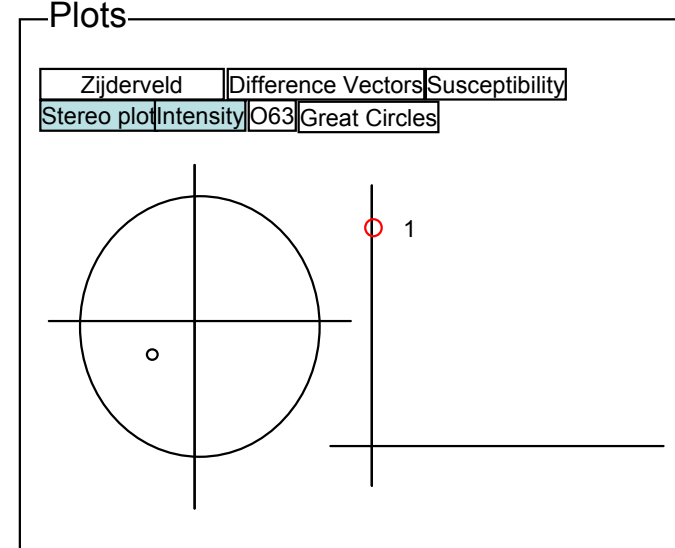
Mass:

Core sample hand sample:

Measurement Details

	X	Y	Z
BG			
0			
90			
180			
270			
BG			

	S/D	S/H	S/N
Error			



Calibration

filename	last modified	Time
Sample holder	8.2.2005 14.28	(0h)
Standard sample	8.2.2005 14.34	(0h)

Project explorer

Desktop/Fabio/Antarctis

filename	Type	last modified
AT-1a	AF	6.2.2005 10:50
AT-1b	AF	6.2.2005 10:55
UP-2	AF	6.2.2005 11:05
UP-13	AF	6.2.2005 10:46
UP-15	AF	6.2.2005 10:43
UP-17	AF	8.2.2005 14.43
<input type="text"/>	AF	<input type="button" value="Create New"/>

Measurement Sequence

Start Step Stop Load Set

800 mT Basalt

#	Tesla	D(°)	I(“)	J (T)	M(T)	X(T)	Y(T)	Z(T)	O63
1	0	202	59	1,14e-6	1,14e-7	1,30e-6	3,19e-6	-1,09e-7	1
2	50								
3	100								
4	200								
5	300								
6	400								
7	500								
8	600								
9	700								
10	800								
11									

Measurement Controls

Put sample in holder arrow up

UP-17 (AF Project)

Operator:

date:

measurement type: Auto Manual

rock type:

Site:

Comment:

Latitude:

Long:

Strike:

Dip:

Volume:

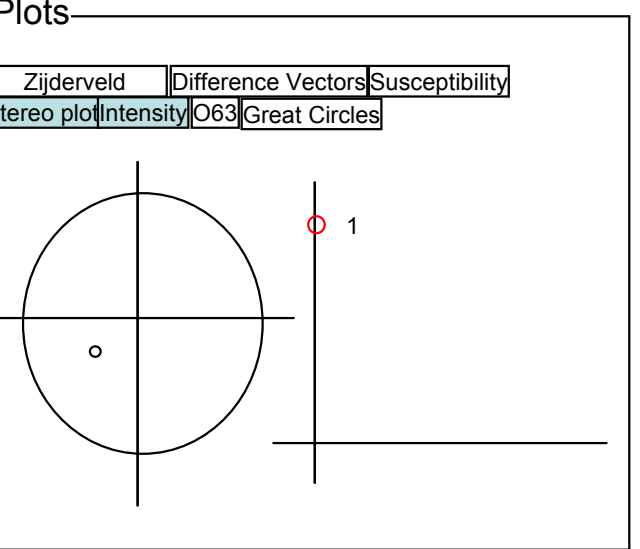
Mass:

Core sample hand sample:

Measurement Details

	X	Y	Z
BG	+8,625e-6	+7,290e-6	-6,977e-6
0			
90			
180			
270			
BG			

	S/D	S/H	S/N
Error			



Calibration

filename	last modified	Time
Sample holder	8.2.2005 14.28	(0h)
Standard sample	8.2.2005 14.34	(0h)

Project explorer

Desktop/Fabio/Antarctis

filename	Type	last modified
AT-1a	AF	6.2.2005 10:50
AT-1b	AF	6.2.2005 10:55
UP-2	AF	6.2.2005 11:05
UP-13	AF	6.2.2005 10:46
UP-15	AF	6.2.2005 10:43
UP-17	AF	8.2.2005 14.43
<input type="text"/>	AF	<input type="button" value="Create New"/>

Measurement Sequence

Start Step Stop Load Set

800 mT Basalt

#	Tesla	D(°)	I(“)	J (T)	M(T)	X(T)	Y(T)	Z(T)	O63
1	0	202	59	1,14e-6	1,14e-7	1,30e-6	3,19e-6	-1,09e-7	1
2	50								
3	100								
4	200								
5	300								
6	400								
7	500								
8	600								
9	700								
10	800								
11									

Measurement Controls

Put sample in holder arrow up

UP-17 (AF Project)

Operator:

date:

measurement type: Auto Manual

rock type:

Site:

Comment:

Latitude:

Long:

Strike:

Dip:

Volume:

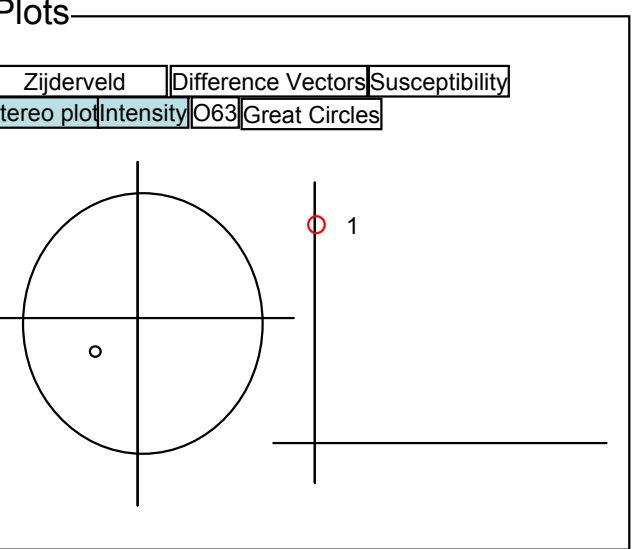
Mass:

Core sample hand sample:

Measurement Details

	X	Y	Z
BG	+8,525e-6	+7,250e-6	-7,094e-6
0	+1,124e-6	+3,083e-6	-1,008e-7
90			
180			
270			
BG			

	S/D	S/H	S/N
Error			



Calibration

filename	last modified	Time
Sample holder	8.2.2005 14.28	(0h)
Standard sample	8.2.2005 14.34	(0h)

Project explorer

Desktop/Fabio/Antarctis

filename	Type	last modified
AT-1a	AF	6.2.2005 10:50
AT-1b	AF	6.2.2005 10:55
UP-2	AF	6.2.2005 11:05
UP-13	AF	6.2.2005 10:46
UP-15	AF	6.2.2005 10:43
UP-17	AF	8.2.2005 15:12

Measurement Sequence

Start Step Stop Load Set

800 mT Basalt

#	Tesla	D(°)	I(“)	J (T)	M(T)	X(T)	Y(T)	Z(T)	O63
1	0	202	59	1,14e-6	1,14e-7	1,30e-6	3,19e-6	-1,09e-7	1
2	50	201	59	1,08e-6	1,08e-7	1,30e-6	1,64e-6	1,64e-6	1
3	100	200	59	1,02e-6	1,02e-7	3,09e-6	8,65e-6	8,65e-6	1
4	200	200	59	8,70e-7	8,70e-8	3,44e-6	3,44e-6	3,09e-6	1
5	300	200	60	7,25e-7	7,25e-8	1,64e-6	3,09e-6	8,65e-6	1
6	400	200	60	6,21e-7	6,21e-8	8,65e-6	8,62e-6	3,44e-6	1
7	500	200	60	5,13e-7	5,13e-8	3,09e-6	3,09e-6	1,64e-6	1
8	600	201	60	4,30e-7	4,30e-8	8,62e-6	8,65e-6	8,65e-6	1
9	700	199	60	3,49e-7	3,49e-8	3,44e-6	1,30e-6	1,64e-6	1
10	800	202	62	2,84e-7	2,84e-8	3,09e-6	3,09e-6	8,65e-6	1
11									

Measurement Controls

Put sample in holder arrow up

UP-17 (AF Project)

Operator:

date:

measurement type: Auto Manual

rock type:

Site:

Comment:

Latitude:

Long:

Strike:

Dip:

Volume:

Mass:

Core sample hand sample:

Measurement Details

	X	Y	Z
BG			
0			
90			
180			
270			
BG			

	S/D	S/H	S/N
Error			

